



# INSTALLATION INSTRUCTIONS

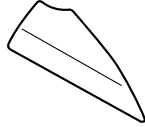
Accessory  
**INTERIOR PANELS**  
P/N 08Z03-TX4-210A

Application  
**2014 RDX**

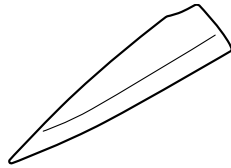
Publications No.  
**BII 48861**  
Issue Date  
**MARCH 2013**

## PARTS LIST

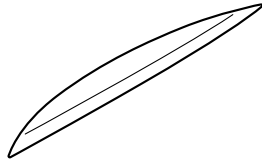
Dashboard right panel



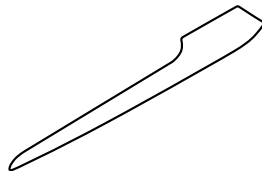
Dashboard left panel



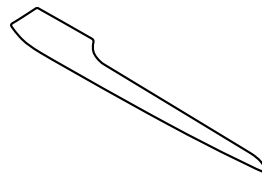
Passenger's dashboard panel



Console right panel



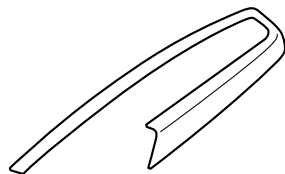
Console left panel



Right front door panel



Left front door panel



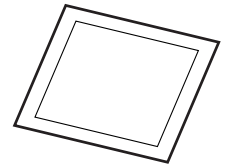
Right rear door panel



Left rear door panel



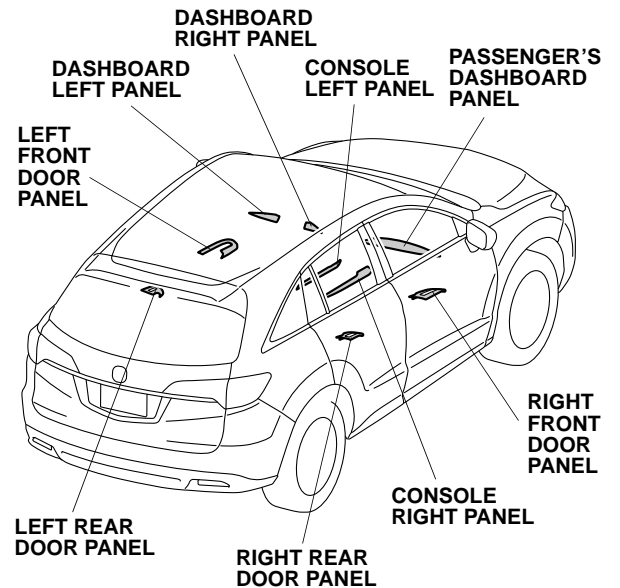
3 Alcohol swabs



## TOOLS AND SUPPLIES REQUIRED

Masking tape

### *Illustration of the Interior Panels in the Vehicle*

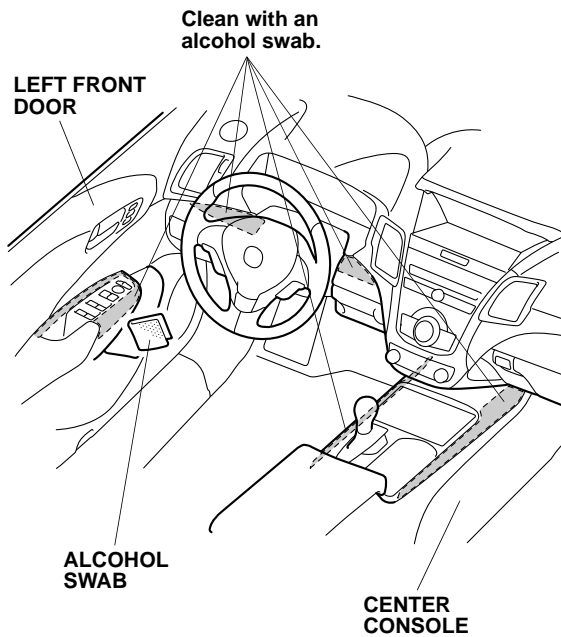


## INSTALLATION

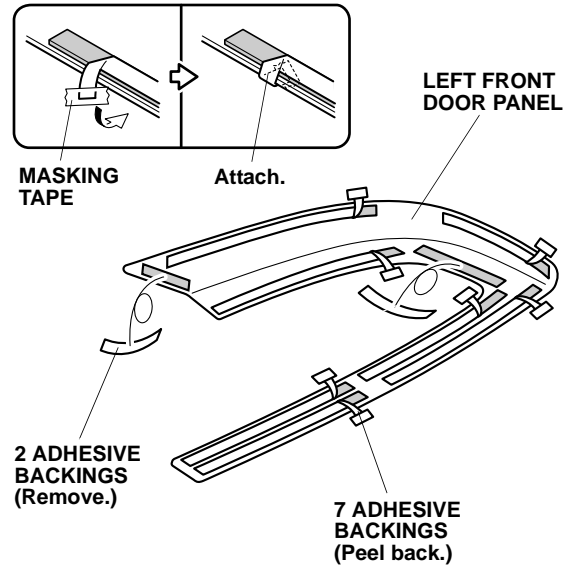
**Client Information:** The information in this installation instruction is intended for use only by skilled technicians who have the proper tools, equipment, and training to correctly and safely add equipment to your vehicle. These procedures should not be attempted by “do-it-yourselfers.”

### NOTE:

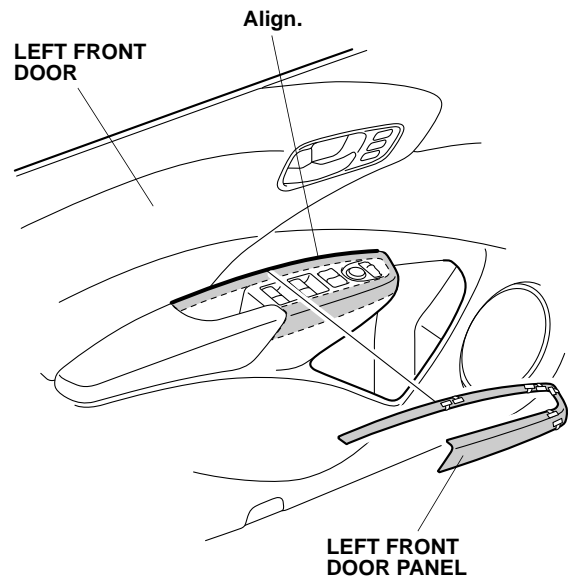
- Do not damage the vehicle during installation.
  - This kit should be installed only if the ambient air temperature is 15°C (60°F) or above.
  - Align each part carefully. Attempting to detach the double-faced tape may damage the part or ruin the double-faced tape.
1. Using an alcohol swab, thoroughly clean the areas where the left front door panel, dashboard left panel, dashboard right panel, console left panel, and console right panel will attach.



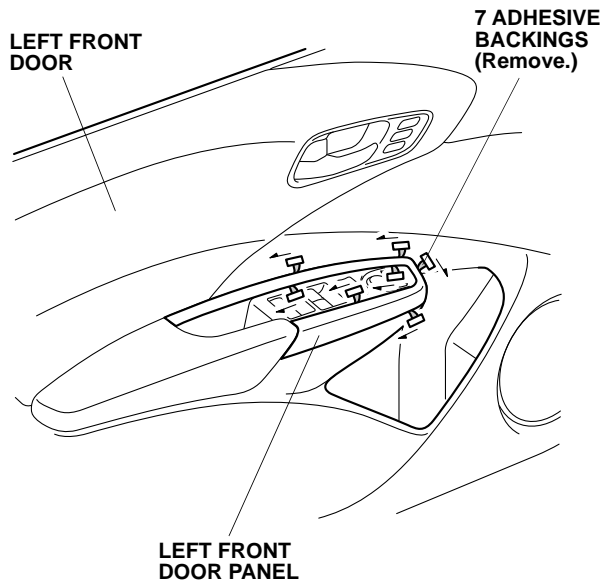
2. Attach masking tape to the ends of the adhesive backings, and attach them to the front surface of the left front door panel. Remove the remaining adhesive backings.



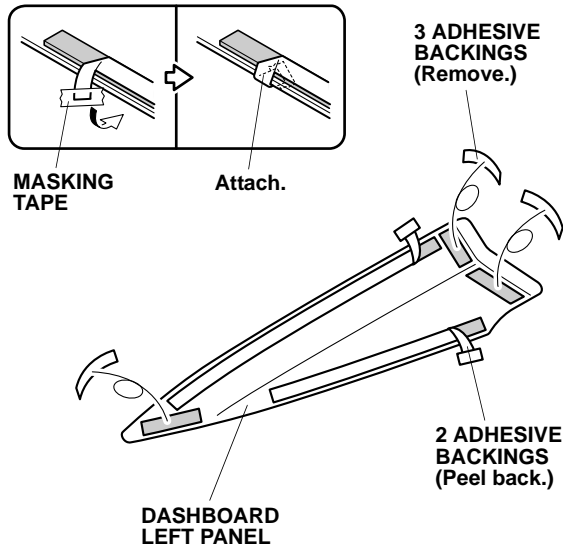
3. Align the left front door panel and attach it as shown.



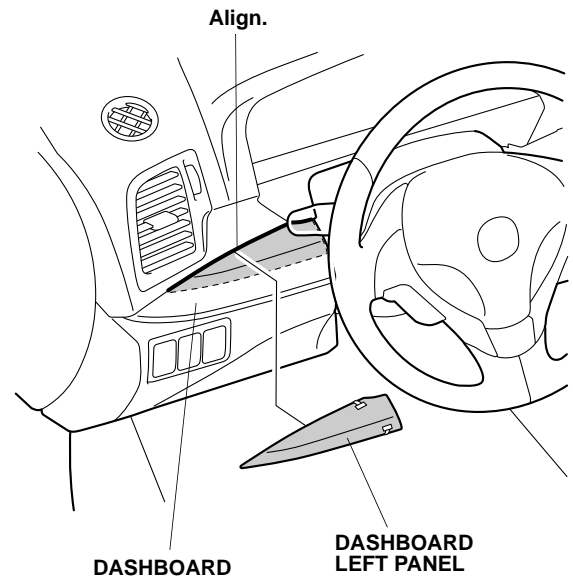
4. While applying light pressure against the left front door panel, carefully remove the adhesive backings.



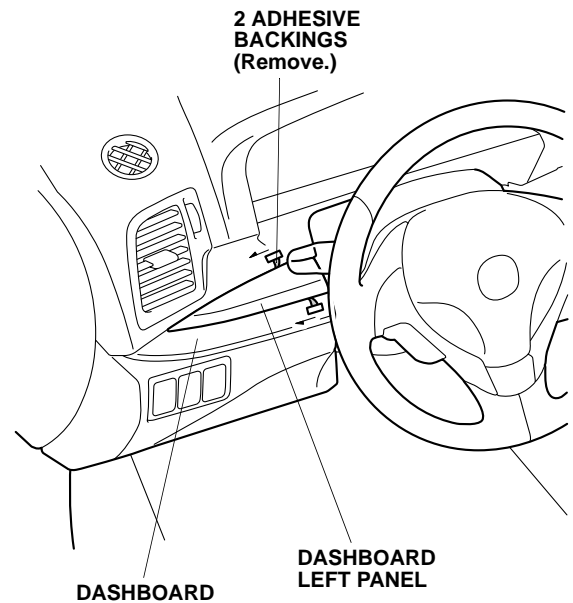
5. Using your hand, firmly press the left front door panel against the left front door.
6. Attach masking tape to the ends of the adhesive backings, and attach them to the front surface of the dashboard left panel. Remove the remaining adhesive backings.



7. Align the dashboard left panel and attach it as shown.

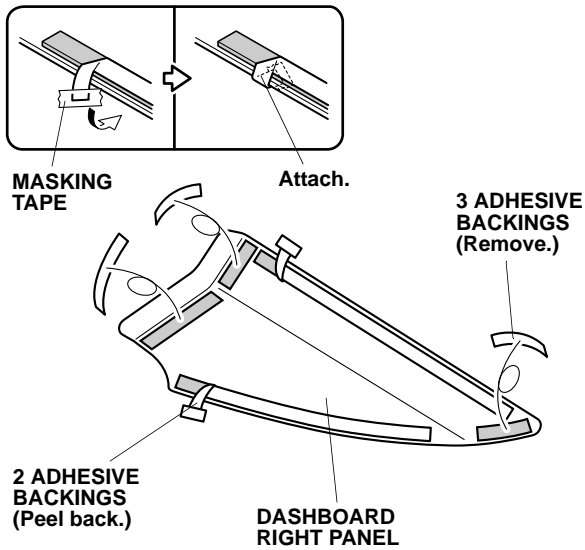


8. While applying light pressure against the dashboard left panel, carefully remove the adhesive backings.

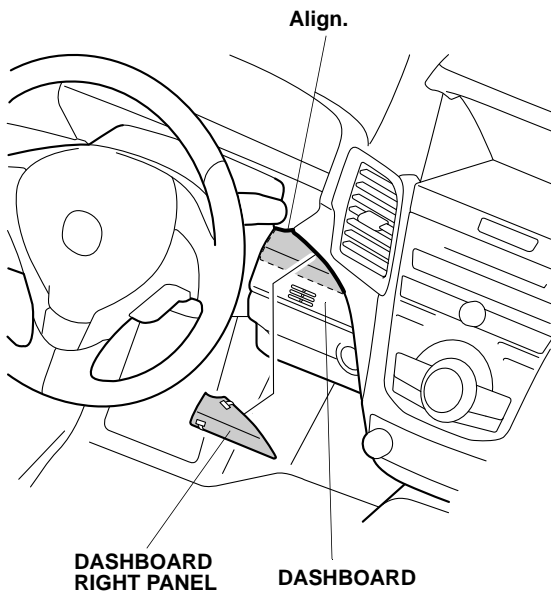


9. Using your hand, firmly press the dashboard left panel against the dashboard.

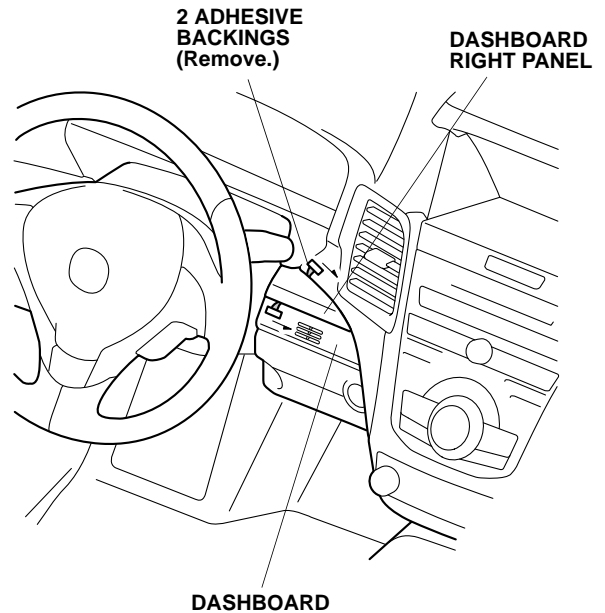
- Attach masking tape to the ends of the adhesive backings, and attach them to the front surface of the dashboard right panel. Remove the remaining adhesive backings.



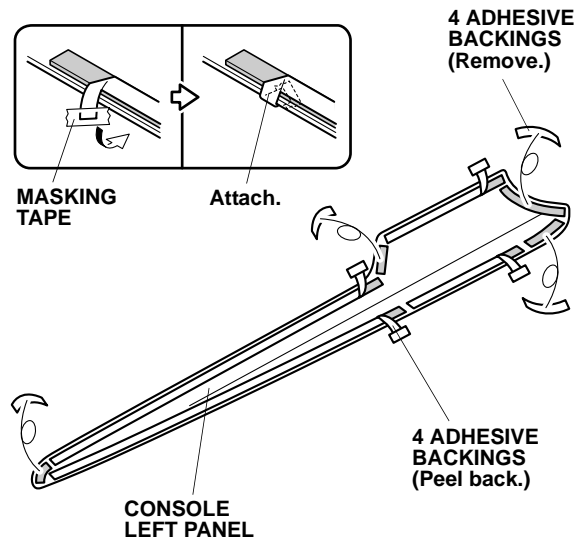
- Align the dashboard right panel and attach it as shown.



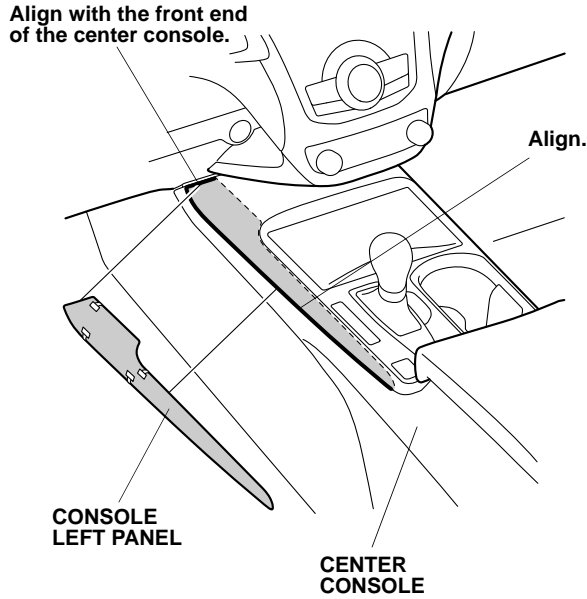
- While applying light pressure against the dashboard right panel, carefully remove the adhesive backings.



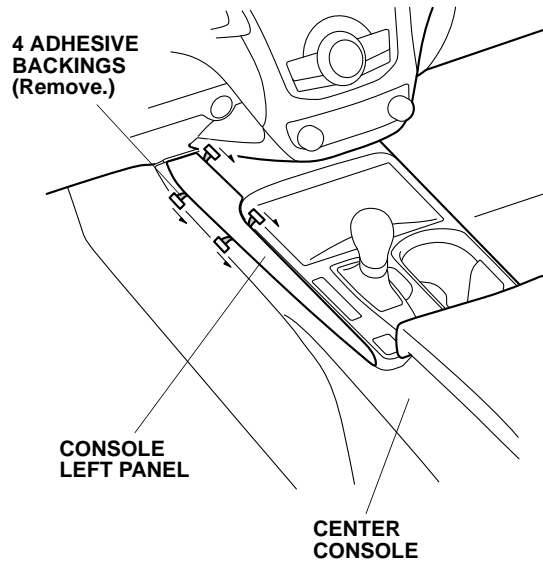
- Using your hand, firmly press the dashboard right panel against the dashboard.
- Attach masking tape to the ends of the adhesive backings, and attach them to the front surface of the console left panel. Remove the remaining adhesive backings.



15. Align the console left panel and attach it as shown.

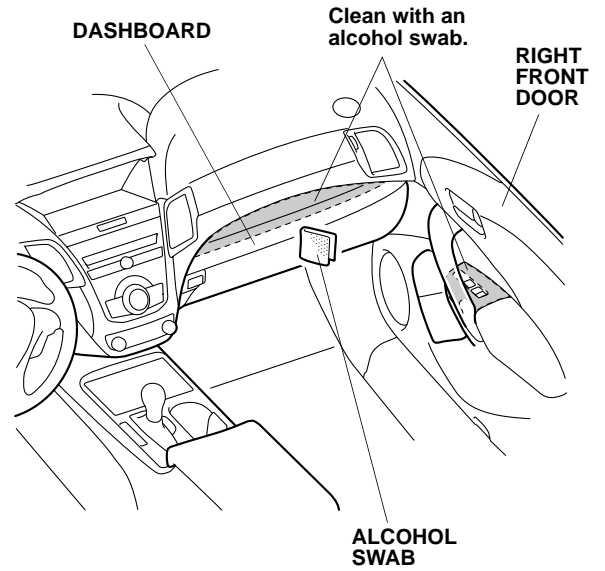


16. While applying light pressure against the console left panel, carefully remove the adhesive backings.

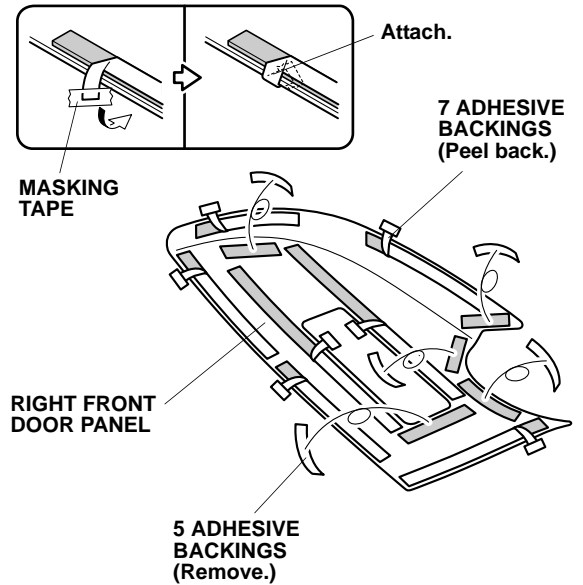


17. Using your hand, firmly press the console left panel against the center console.
18. Repeat steps 14 through 17 on the other side to install the console right panel to the center console.

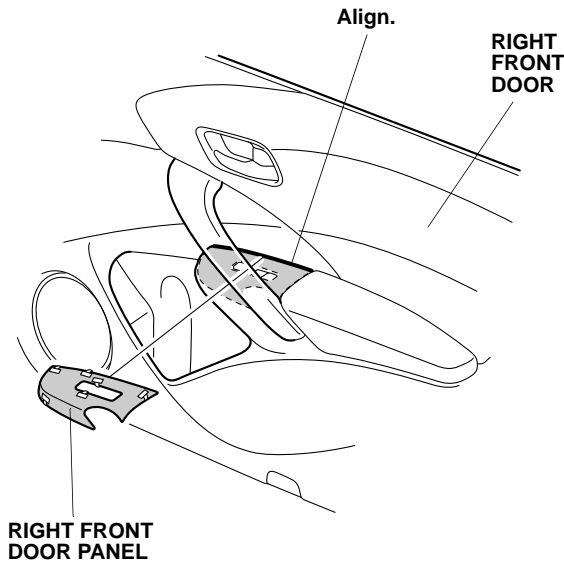
19. Using an alcohol swab, thoroughly clean the areas where the right front door panel and passenger's dashboard panel will attach.



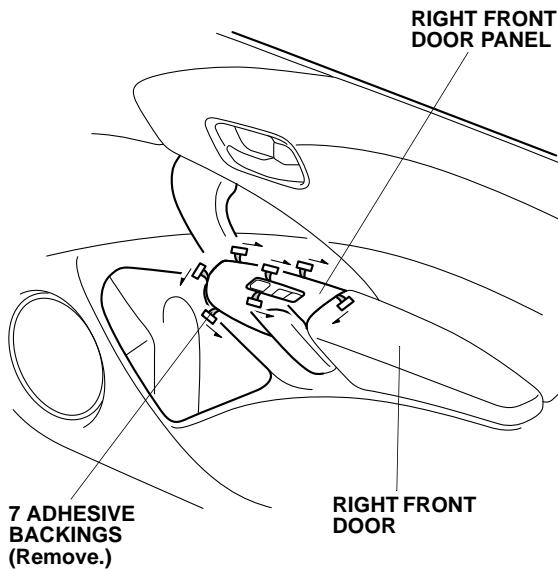
20. Attach masking tape to the ends of the adhesive backings, and attach them to the front surface of the right front door panel. Remove the remaining adhesive backings.



21. Align the right front door panel and attach it as shown.

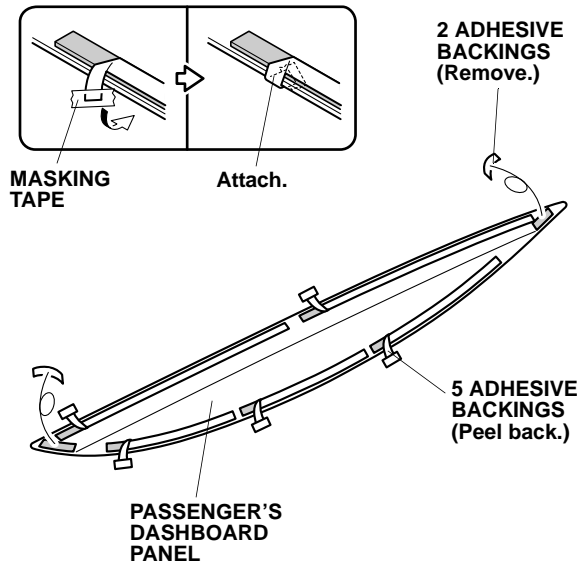


22. While applying light pressure against the right front door panel, carefully remove the adhesive backings as shown.

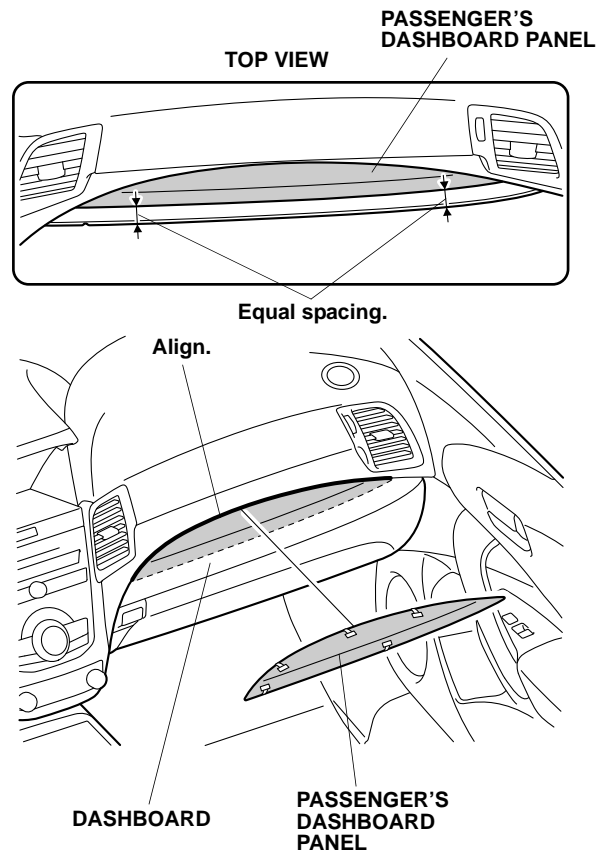


23. Using your hand, firmly press the right front door panel against the right front door.

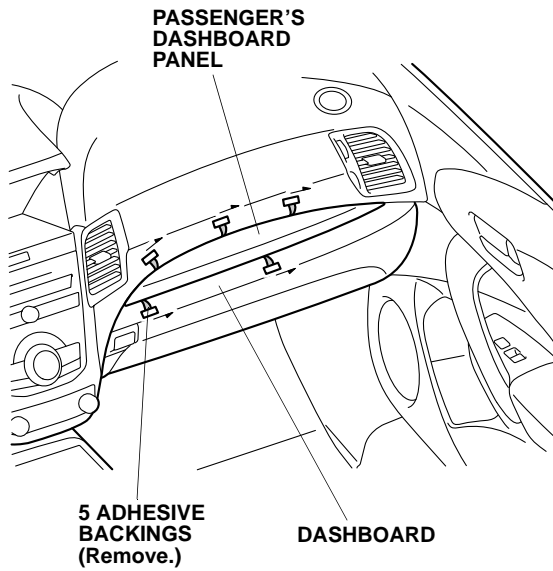
24. Attach masking tape to the ends of the adhesive backings, and attach them to the front surface of the passenger's dashboard panel. Remove the remaining adhesive backings.



25. Align the passenger's dashboard panel and attach it as shown.



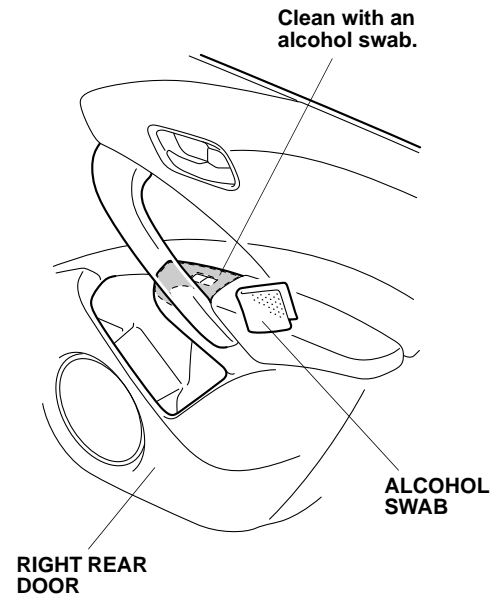
26. While applying light pressure against the passenger's dashboard panel, carefully remove the adhesive backings.



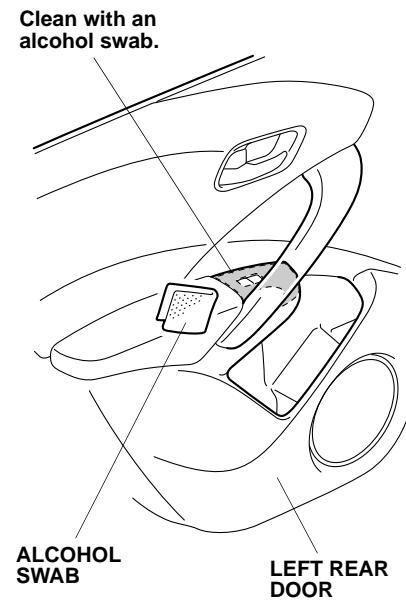
27. Using your hand, firmly press the passenger's dashboard panel against the dashboard.

28. Using an alcohol swab, thoroughly clean the areas where the right rear door panel and the left rear door panel will attach.

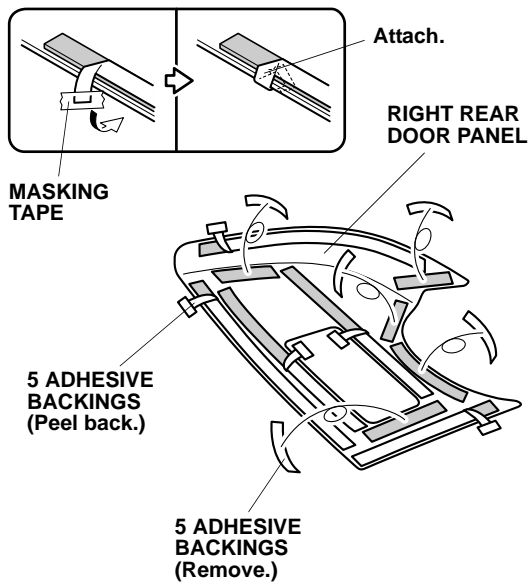
**RIGHT REAR DOOR:**



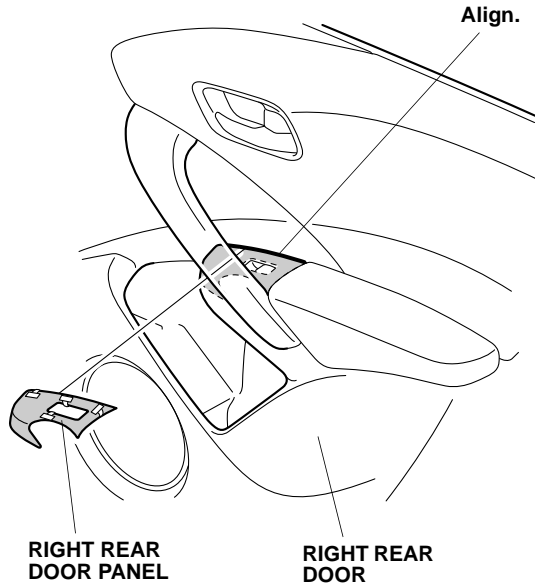
**LEFT REAR DOOR:**



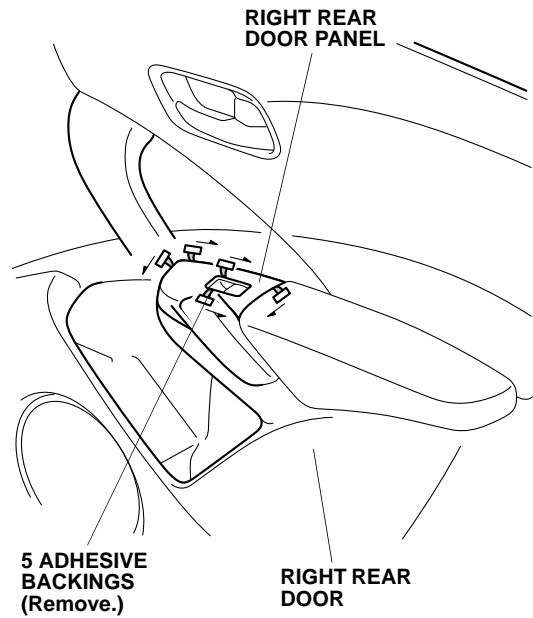
29. Attach masking tape to the ends of the adhesive backings, and attach them to the front surface of the right rear door panel. Remove the remaining adhesive backings.



30. Align the right rear door panel and attach it as shown.



31. While applying light pressure against the right rear door panel, carefully remove the adhesive backings.



32. Using your hand, firmly press the right rear door panel against the right rear door.
33. Repeat steps 29 through 32 on the other side to install the left rear door panel to the left rear door.